

48

19

24 98

80 89

21

78 88

74

7

17

10

2

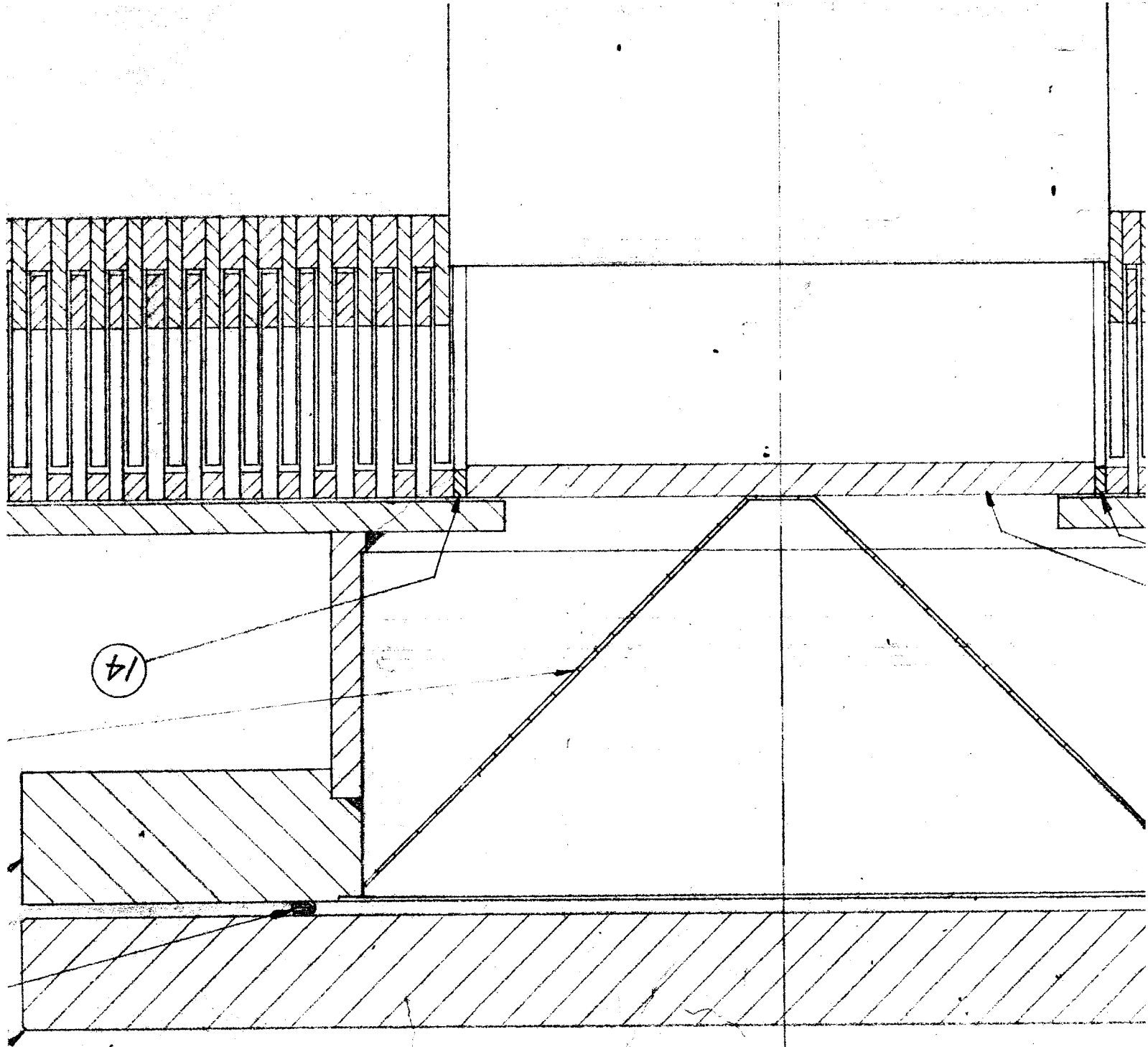
45

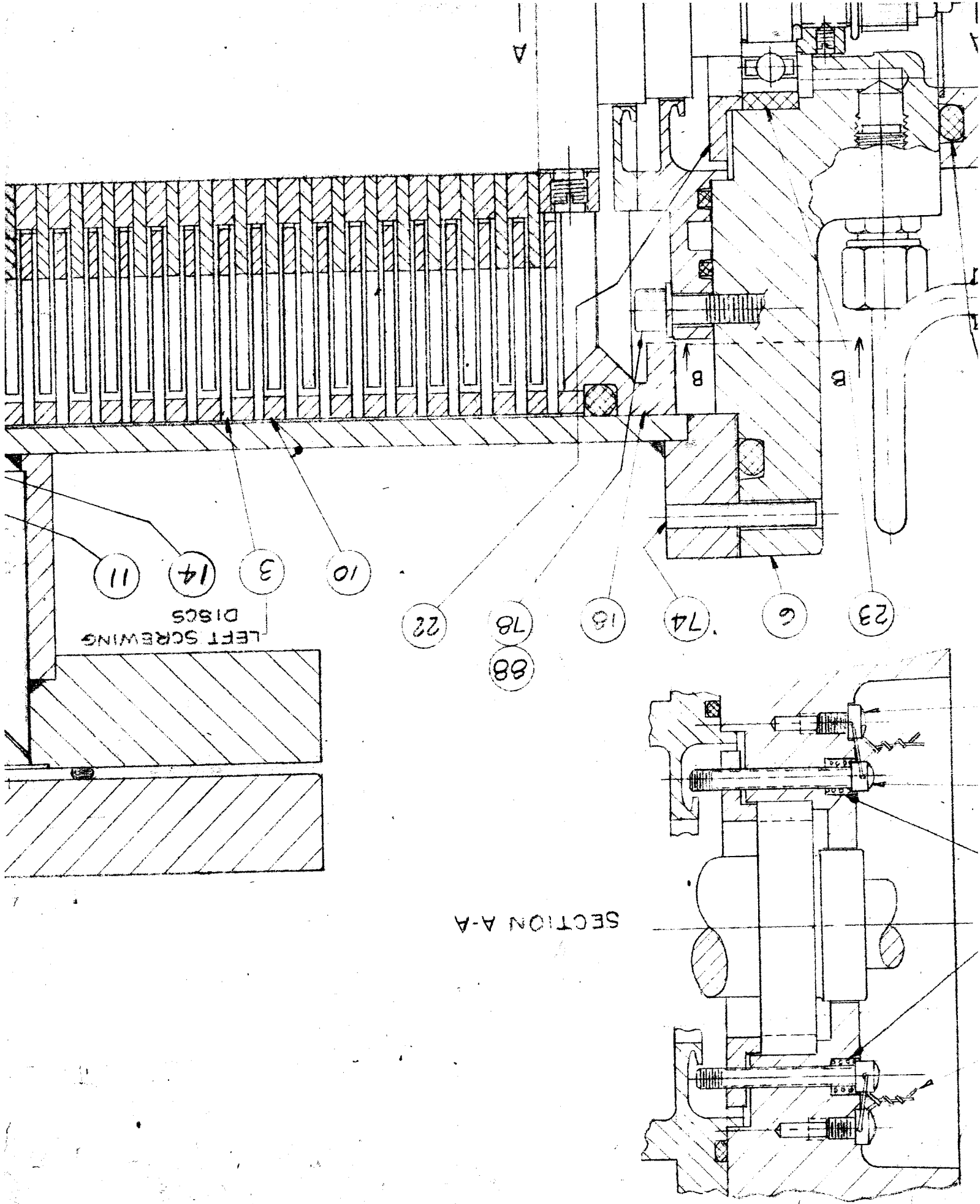
5

101

38

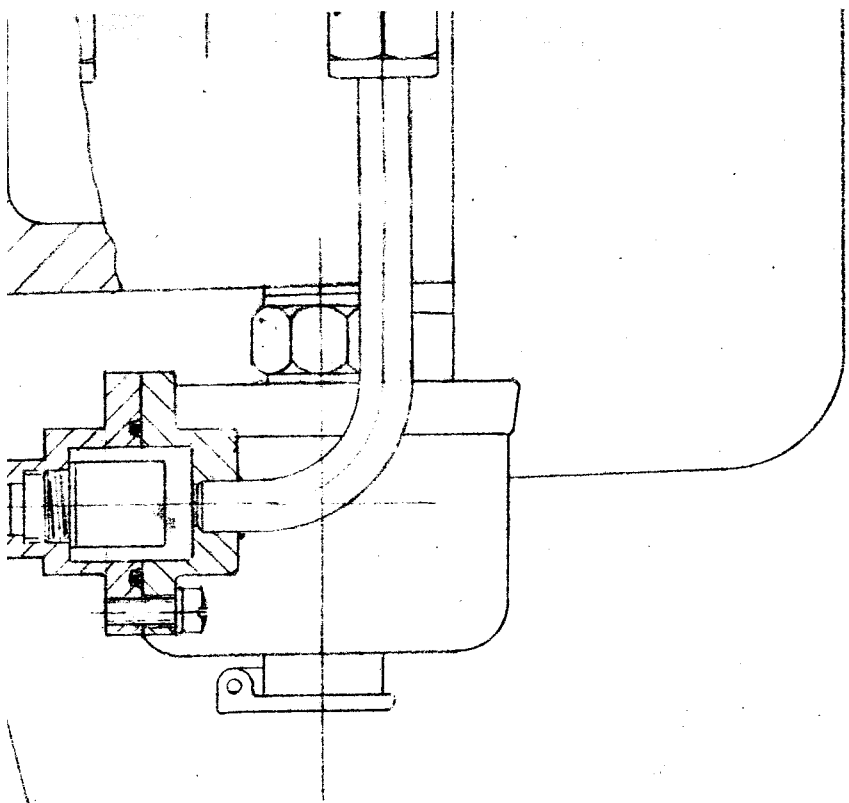
2 RIGHT SCREWING DISCS





LEFT SCREWING DISCS

SECTION A-A



27

49

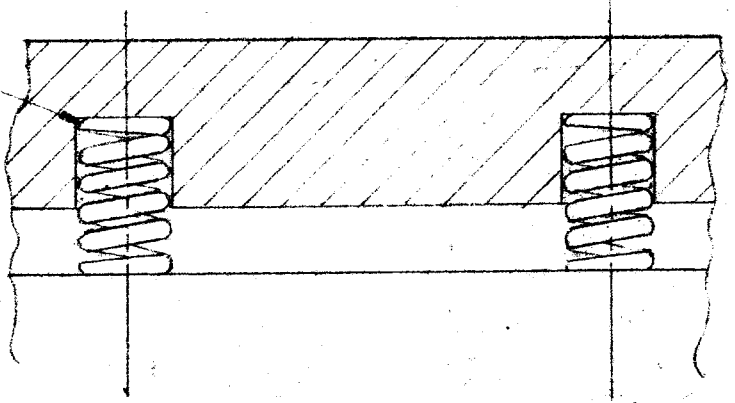
48

31

30

102

SECTION B-B



D CAT No. 3102

UNLESS OTHERWISE SPECIFIED  
FRACTIONS MAY VARY ±.010  
DECIMALS MAY VARY ±.005

Date 5/21/65  
Scale FULL

App'd

Drawn By A.M.

No. of Sheets 4

Sheet No. 1

Finish

Chicago, Illinois, U.S.A.

The Welch Scientific Company

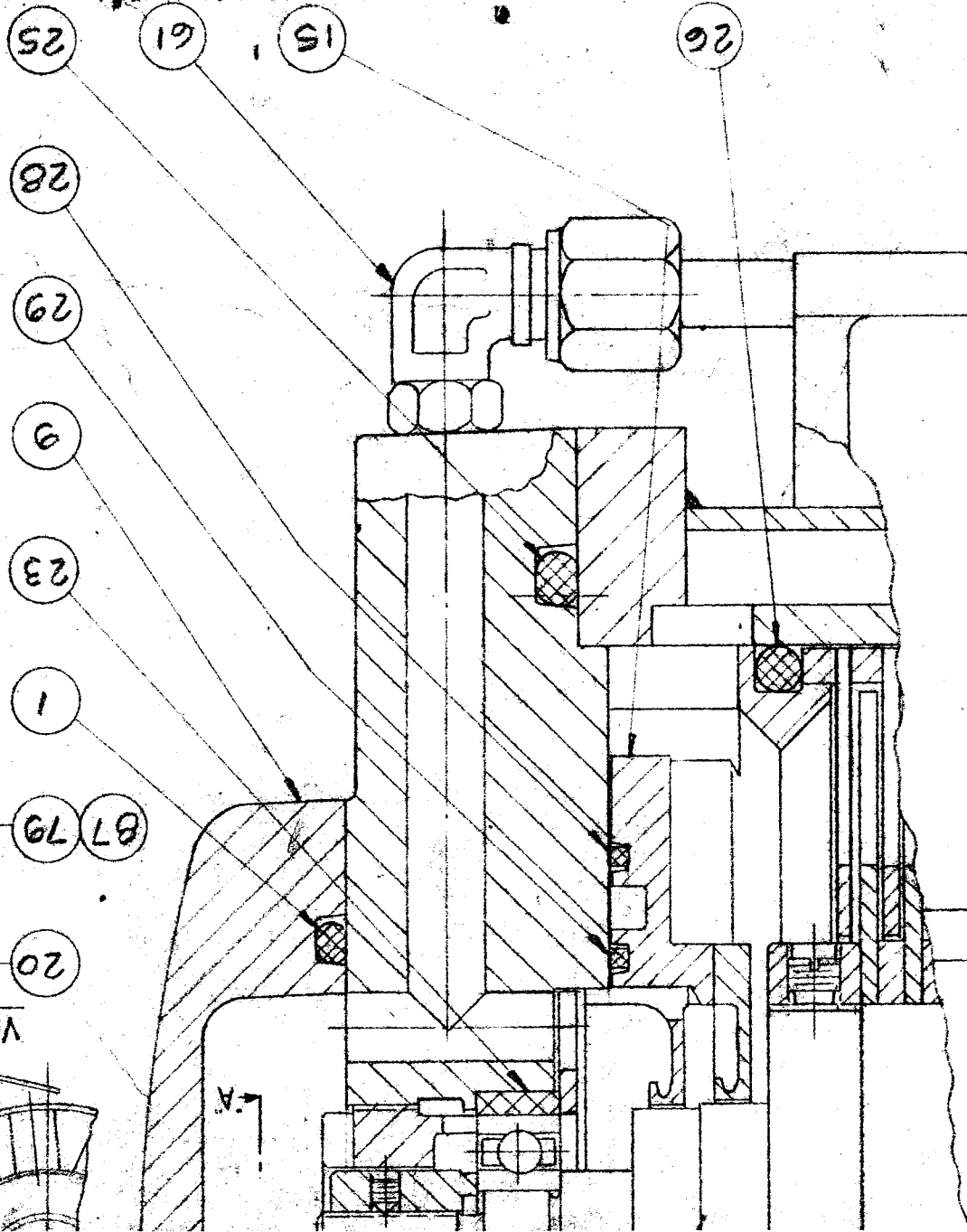
URBO MOLECULAR PUMP

THIS PRINT SUPERSEDES  
ALL OTHER PRINTS PRIOR  
TO THIS DATE.  
THE WELCH SCIENTIFIC CO.

FEB 17 1966

ISSUED

SEE NOTE #1

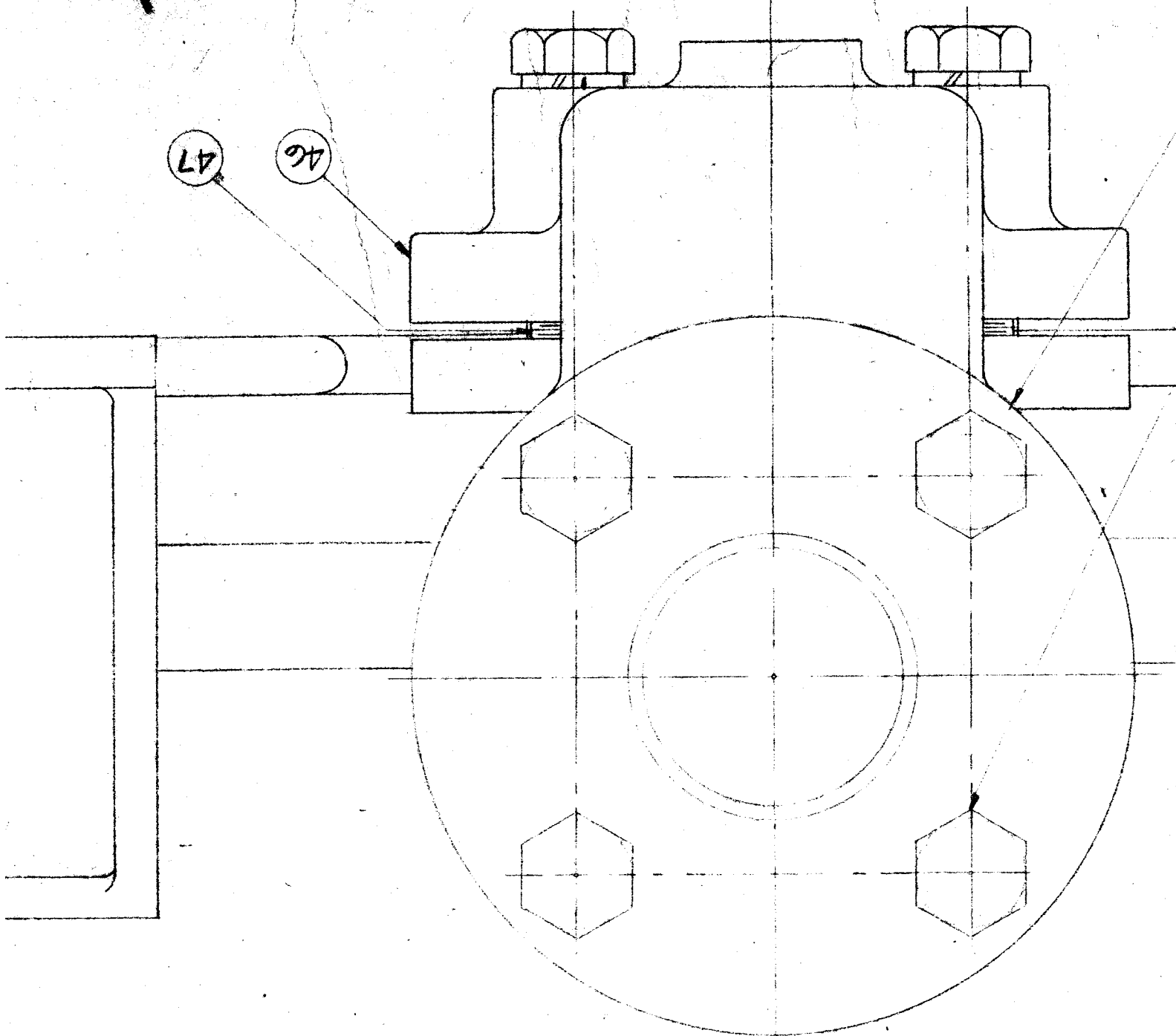


VIEW A-A

A-A

Date	By	Checked	Approved

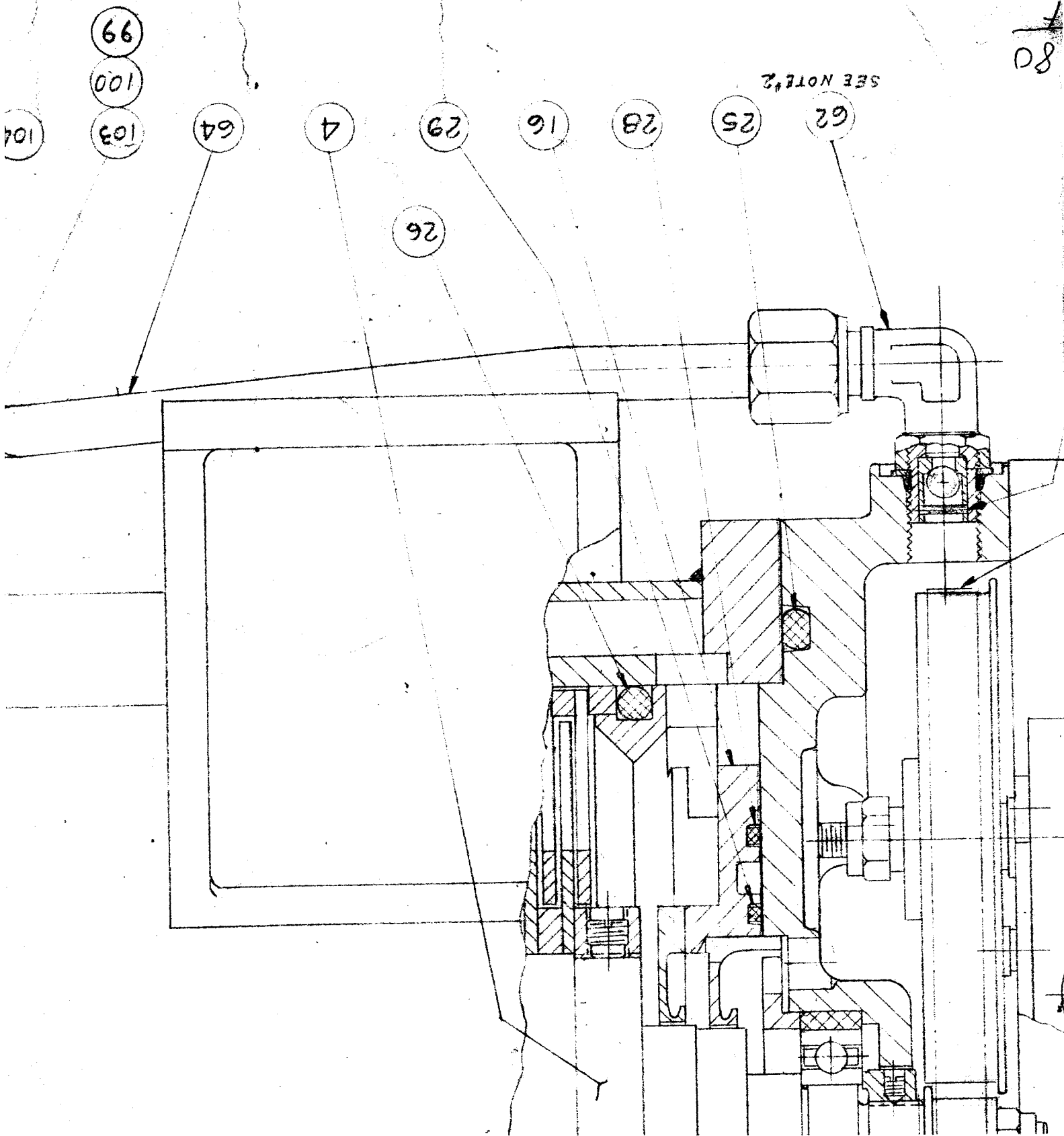
Rev  
Use  
Title



H LIGHT SILVER COARSE TEXTURE  
AMEL  
WITH RED LACQUER.

80

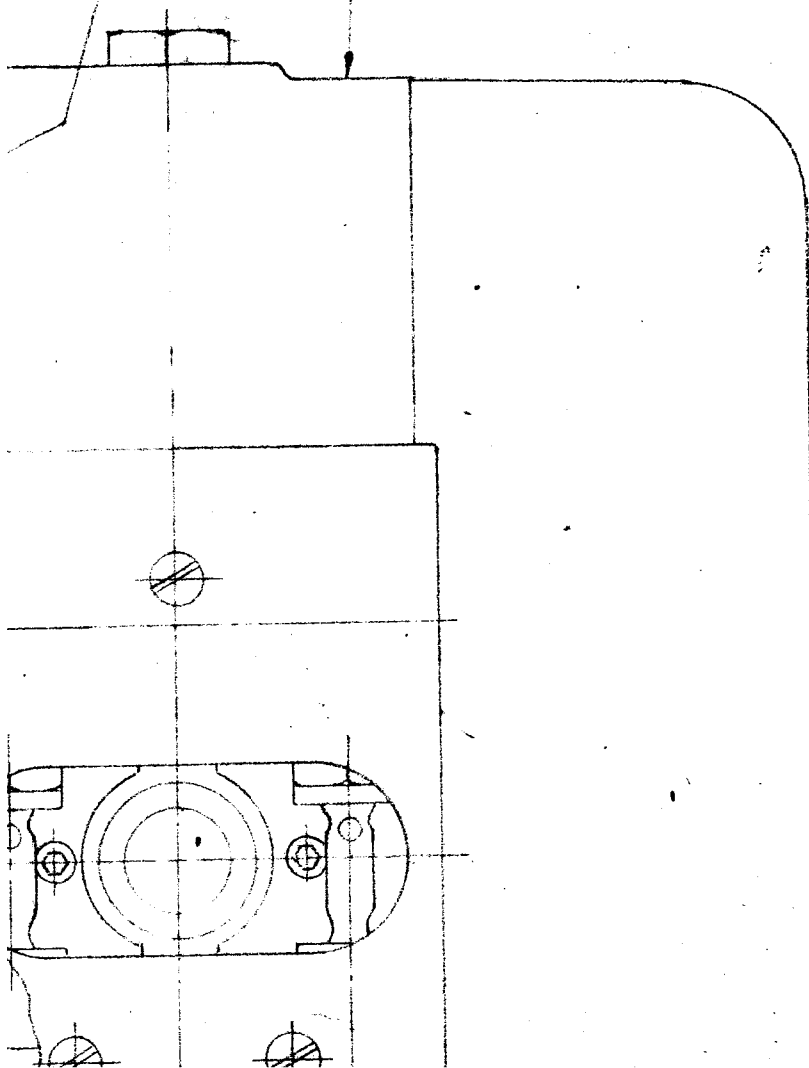
SEE NOTE 2



A B C D E F G H J K L M N

PARTS SUPPLIED BUT NOT SHOWN

ITEM NO.	DESCRIPTION	PC. NO.	NO. REQ.
66	O. RING - 1/4 O.D. TUBE	41-4111	1
67	O. RING - 5/16 O.D. TUBE	41-4112	3
68	O. RING - 3/8 O.D. TUBE	41-4113	1
69	SLEEVE - 1/4 O.D. TUBE	41-4131	2
101	INLET FLANGE GASKET	CAT.# 3102G	2
112	QT. TURBO MOLECULAR OIL	CAT.# 1377K	2



PC 41-4  
 Timings b

NOTES:  
 1. PAINT ITEM #61  
 2. PAINT ITEM #62  
 SCOTCH GRIM