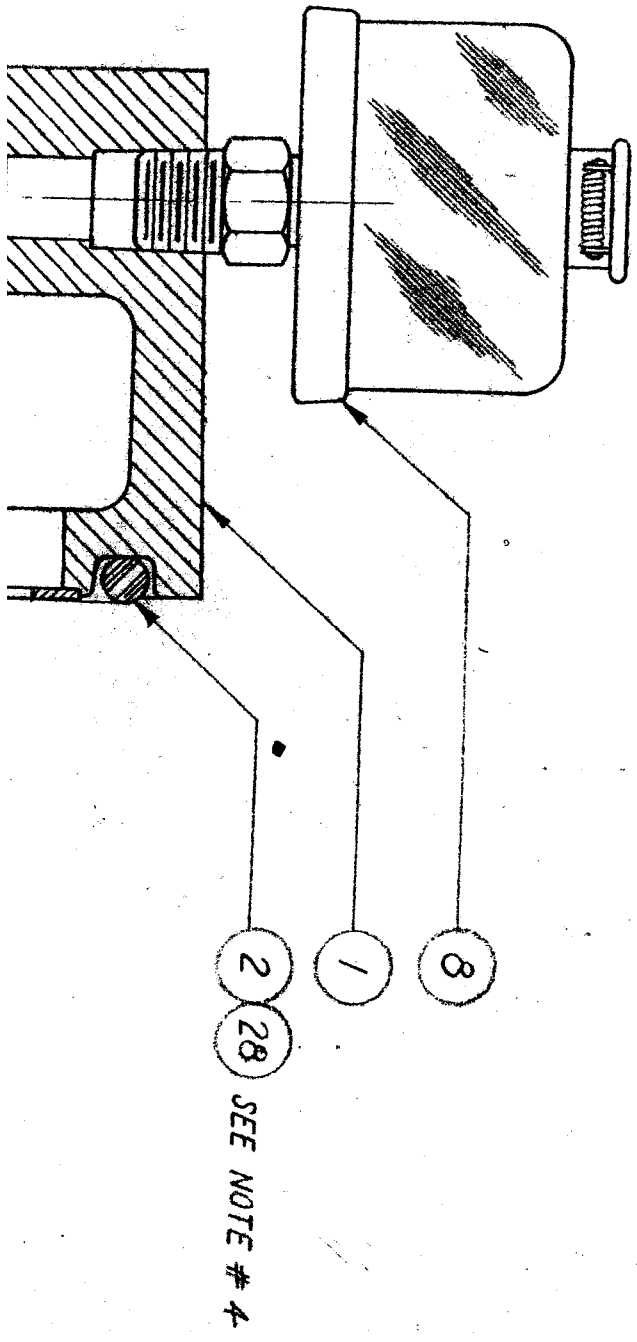


Q. 3/D	PART NO.	ITEM NO.	ITEM	REMARKS
1	41-4275	15	GEAR, L. H. HELICAL	
1	41-4277	16	DRIVE SHAFT	
1	41-4309	17	DRIVEN PULLEY	
		18		
	41-4319	19	SEAL CARTRIDGE SUB-ASSEMBLY	
	41-4322	20	SPACER	INCLUDES INNER SEAL PC NO. 41-3995 AND OUTER SEAL PC NO. 41-4291-5 M22 OR BE H1-4710
	32358-4	21	SOCKET HD CAP SCREW	# 6-32 NC X 3/4 LG
	32374-6	22	BINDER HD MACH SCREW STEEL	# 8-32 NC X 3/8 LG
	32375-5	23	FIL. HD MACH SCREW	# 6-32 NC X 3/8 LG
	32465-9	24	SOCKET HEAD SET SCREW	# 10-32 NF X 1/2 LG
	32483-9	25	ELASTIC STOP NUT	3/8-24 UNF - 3B LIGHT THIN, ESNA # 29 NTE-064
	32545	26	SPLIT STEEL LOCK WASHER	# 6
	32557	27	LOCK WASHER, STL SHAKEPROOF EXT.	# 8 1108-8
	1-99-5090	28	LUBRISEAL VACUUM GREASE	1 OZ. TUBE FOR 300 ASSEMBLIES



7 SEE NOTE # 2

13 SEE NOTE # 1

8

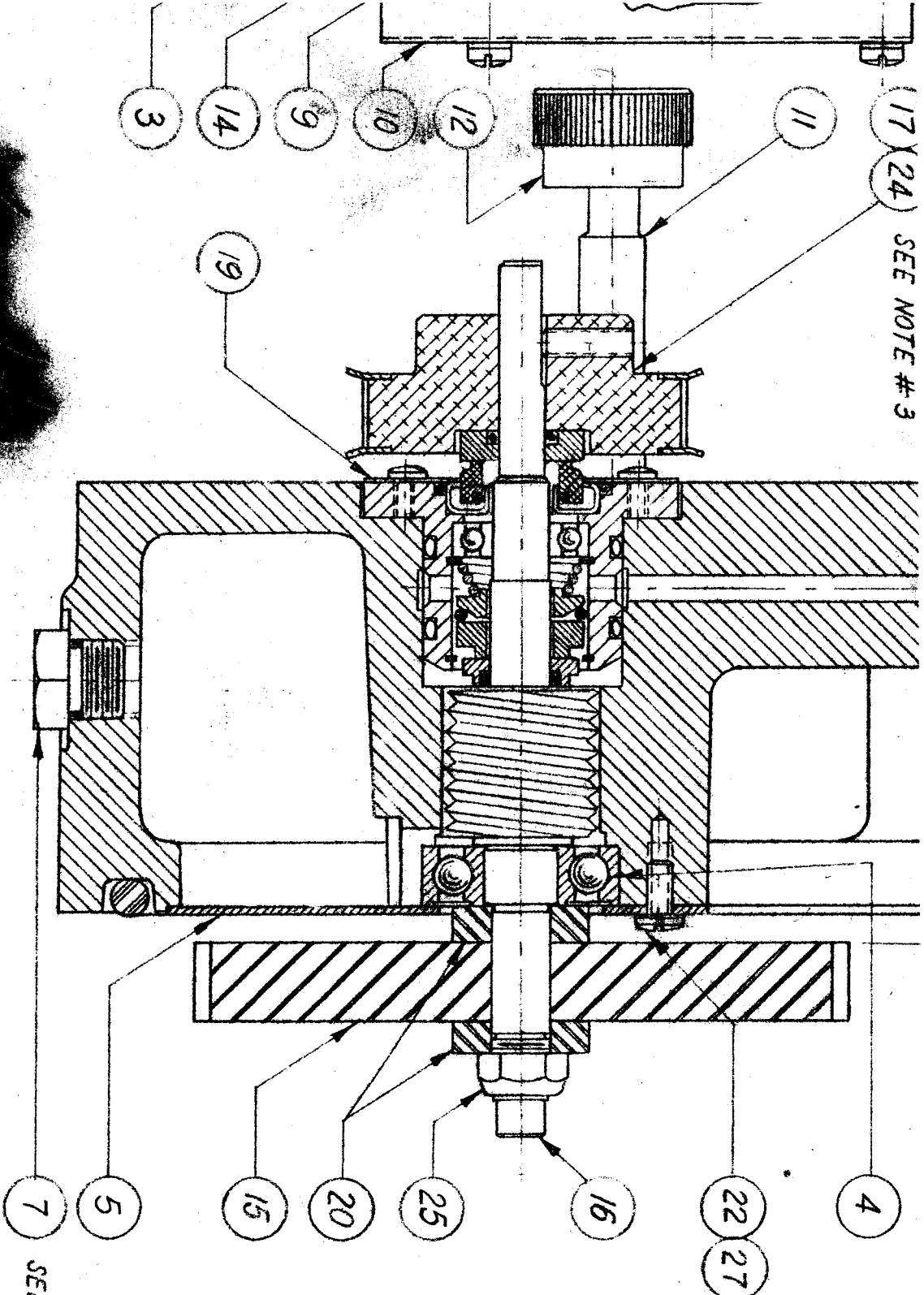
1

2 28 SEE NOTE # 4

21 26

6

3.50



17 (24) SEE NOTE # 3

4

22 27

16

25

20

15

5

7 SEE NOTE # 2

19

12

10

9

14

3

11

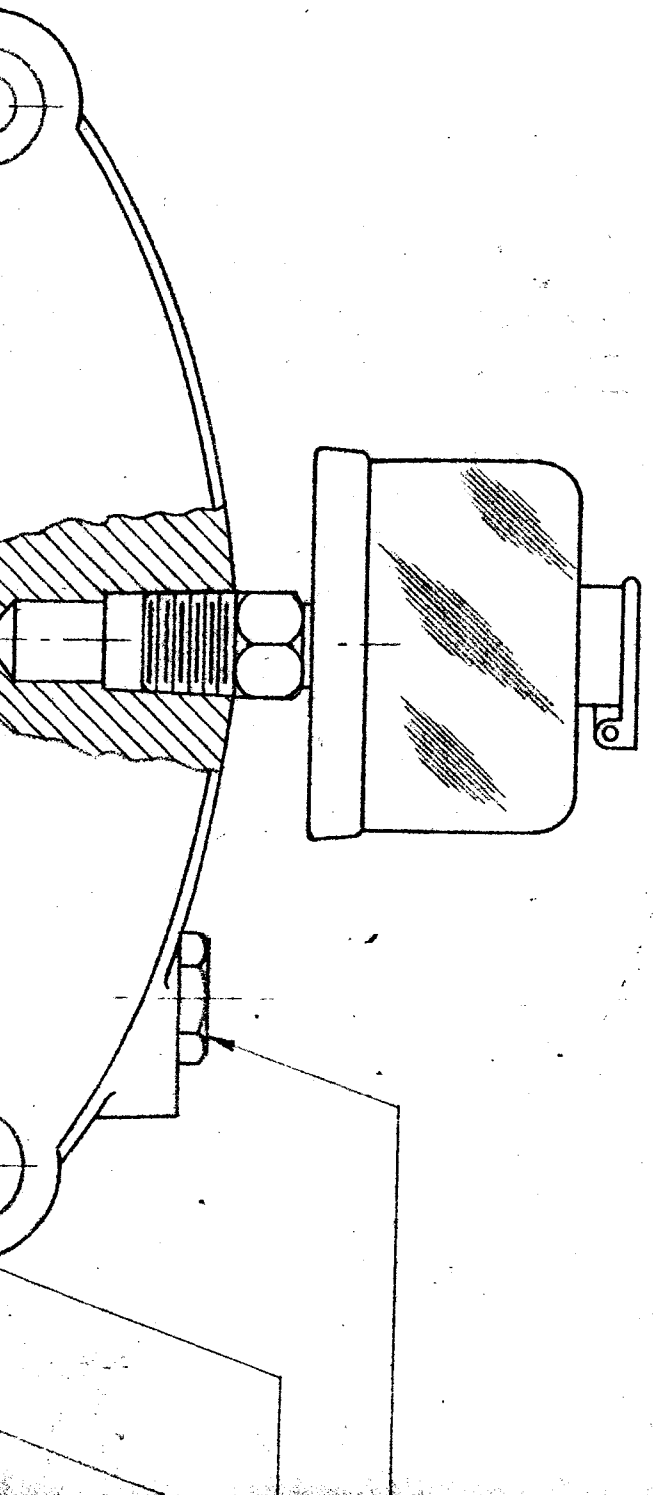
<b>TRANSMISSION ASSEMBLY - GEAR DRIVE</b> USED ON <b>CAT. NO. 3102</b>		<b>The Welch Scientific Company</b> Skokie, Illinois U. S. A.	
MATERIAL <b>SEE ABOVE</b>	FINISH <b>NONE</b>	DRAWN <i>D.M.</i> APP'D <b>A.M.</b> DATE <b>1-26-67</b>	CHECKED APP'D DATE
REVISIONS <b>B 1805</b> BY <i>D.M.</i> DATE <b>2-15-67</b>	TOLERANCES - UNLESS OTHERWISE SPECIFIED FRACTIONAL DECIMAL	SCALE: <b>FULL</b>	<b>41-4332</b> SHEET <b>1</b> OF <b>1</b>

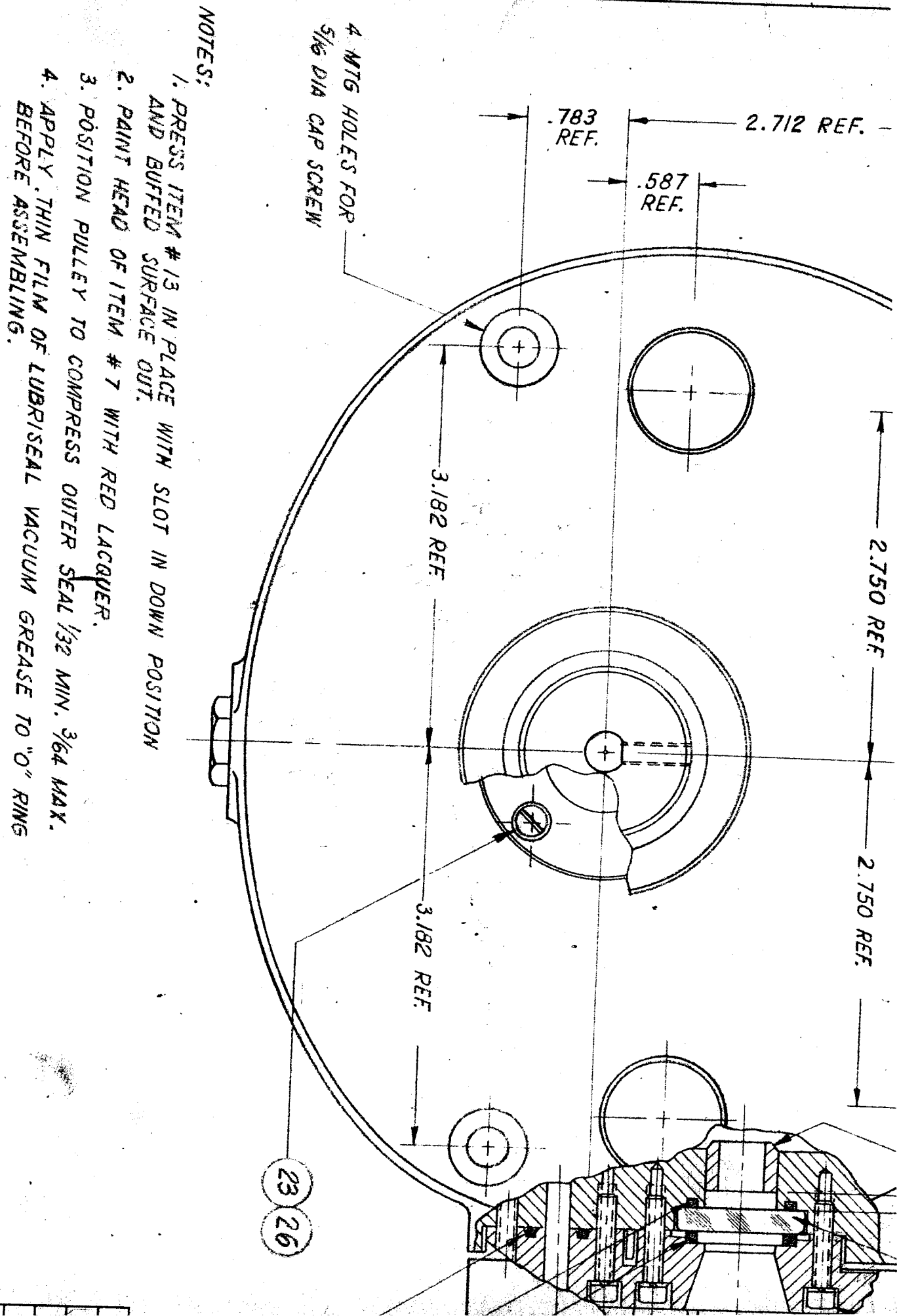
**ISSUED**

OCT 17 1967

THIS PRINT SUPERSEDES ALL OTHER PRINTS PRIOR TO THIS DATE.  
 THE WELCH SCIENTIFIC CO.

NO. REQ'D	PART NO.	ITEM NO.	ITEM	REMARKS
1	41-3925	1	TRANSMISSION HOUSING	CASTING # 1377-4
1	41-3975	2	0" RING 5 3/4 I.D. X 6 1/4 O.D. X 1/4 W	BUNA "N"
1	41-3979	3	0" RING 5/16 I.D. X 7/16 O.D. 1/16 W	BUNA "N"
1	41-3983	4	DRIVE SHAFT BEARING - RIGHT	
1	41-3984	5	TRANSMISSION HOUSING COVER	
1	41-3996	6	OIL LEVEL INDICATOR WINDOW	
2	41-4000	7	PLUG WITH 0" RING	IMPERIAL - EASTMAN # 721-F50, 5/16 TUBE
1	41-4339	8	OILER	
1	41-4018	9	TETRA SEAL, 1/16 I.D. X 7/8 O.D. X 3/32 W	BUNA "N" GOSHEN # TS 33-115
1	41-4020	10	OIL FLOW INDICATOR	
2	41-4092	11	BELT GUARD STUD	
2	41-4093	12	KNURLED THUMB NUT	
1	41-4132	13	OIL INDICATOR SLEEVE	
1	41-4231	14	TETRA SEAL, 1/16 I.D. X 1/3 O.D. X 1/16 W	BUNA "N" GOSHEN # TS 33-017





Bushing — .3125 Bore x  $\frac{3}{8}$  long