

92

43
SEE

80 81

93 85

113 54
SEE NO.

80 89

42 SEE NOTE

94 89

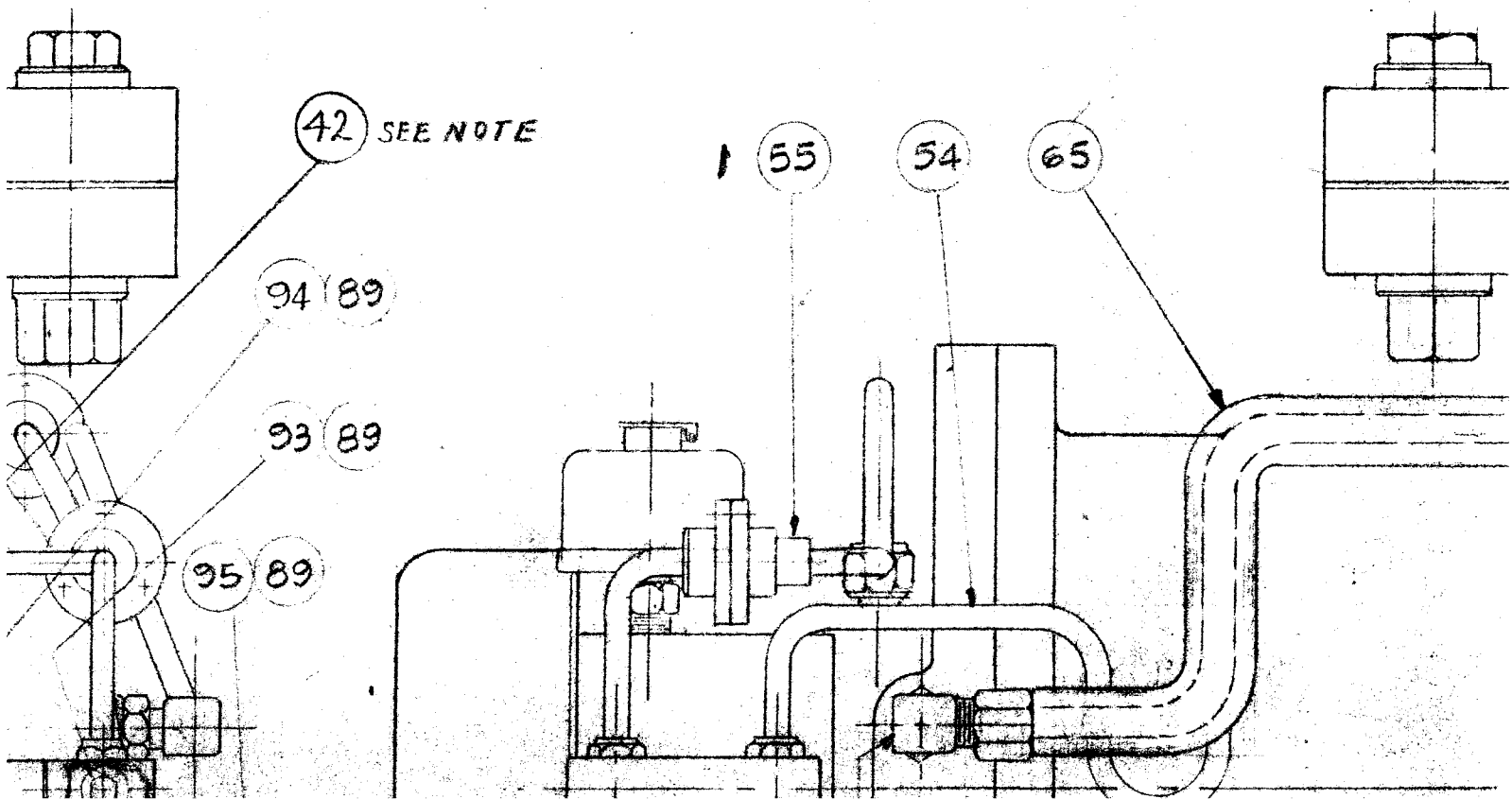
93 89

95 89

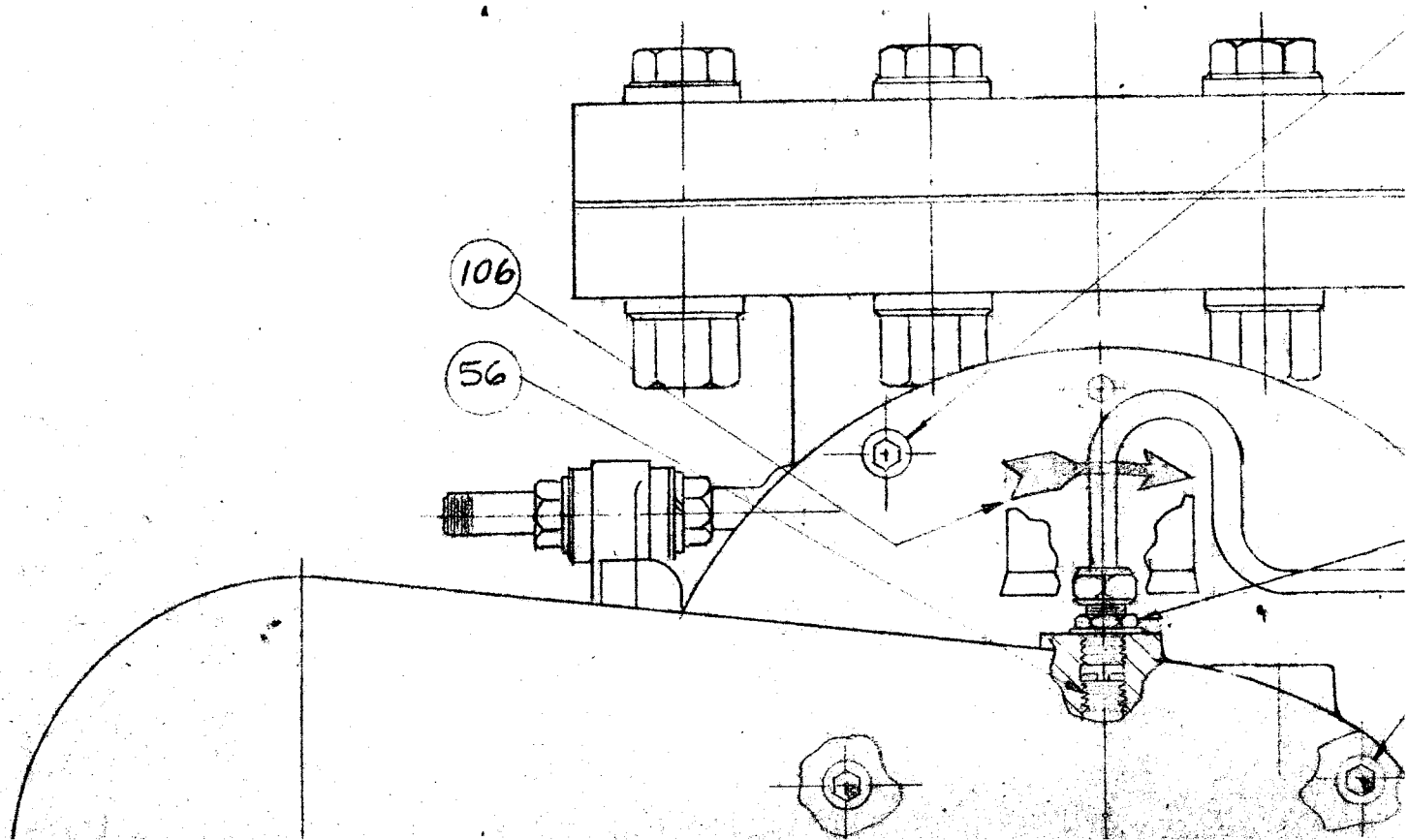
55

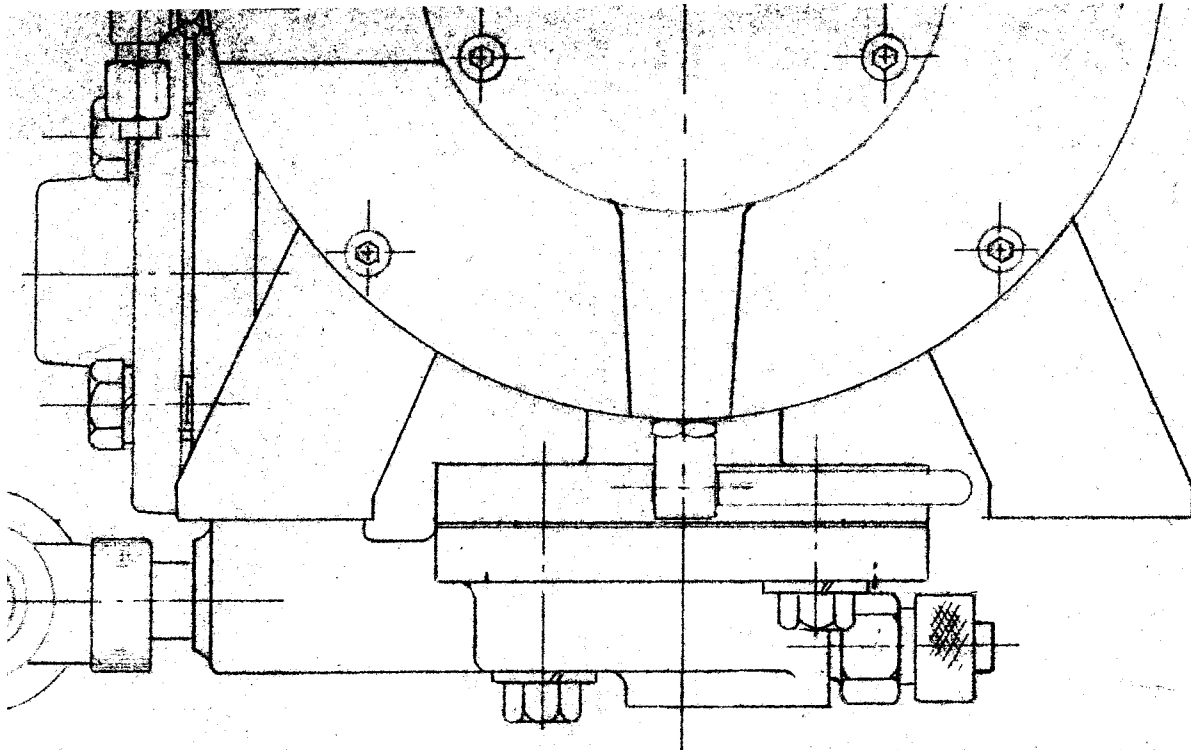
54

65



3.

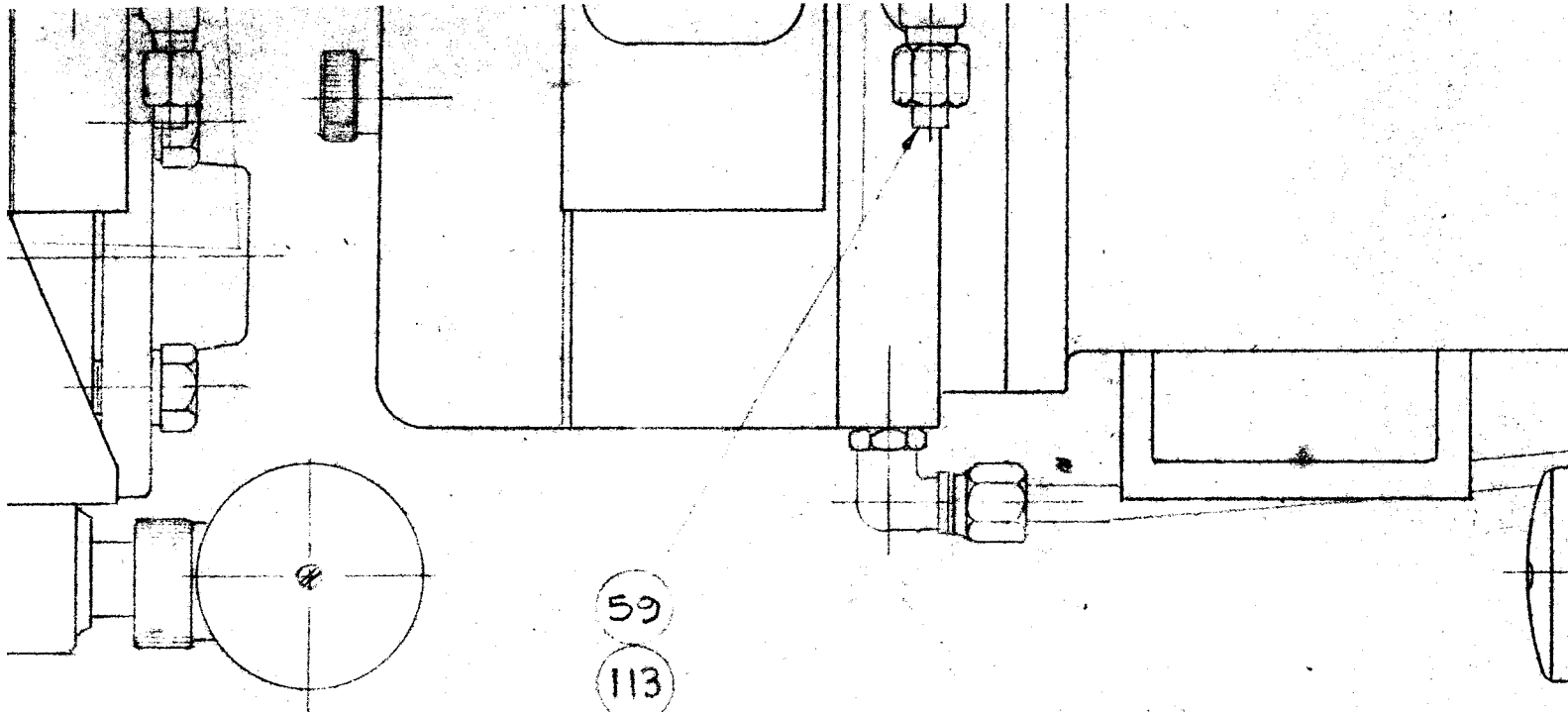




ISSUED

MAY 20 1966
 THIS PRINT SUPERSEDES
 ALL OTHER PRINTS PRIOR
 TO THIS DATE.
 THE WELCH SCIENTIFIC CO.

RBO MOLECULAR PUMP		The Welch Scientific Company	
		Chicago, Illinois, U. S. A.	
Finish	Sheet No. <u>3</u>	Drawn By <u>J. J. L.</u> App'd.	Date <u>5-21-65</u>
	No. of Sheets <u>4</u>	Checked By App'd.	Scale <u>1/2" = 1"</u>
UNLESS OTHERWISE SPECIFIED FRACTIONS MAY VARY ± 0.010 DECIMALS MAY VARY ± 0.005		D	CAT. No. 3102



59
113
SEE NOTE

NOTE:
PAINT ITEMS #42, #43, #5
COARSE TEXTURE SC

A
B
C
D
E
F
G
H
J
K
L
M
N

